

WDE-IP150

HDMI over IP Extender with Loop Out (150m)

Introduction

HDMI over IP Extender is based on AV over IP solution for distribution of one HD content to one HD display device or to multiple HD display devices over a standard network switcher, and extends distance up to 492ft / 150m between encoder and decoder via a CAT5e/6 cable. It offers configurable high quality, low-bandwidth H.265 compression video. The resolution is up to 1920x1200@60Hz. It also supports HDMI loop output on transmitter.



HDMI over IP Extender includes Encoder and Decoder. Encoder obtains HDMI signal for encoding and transmitting via CAT5e/6 cable. It supports HDMI loop output. Decoder decodes the received signal and output HDMI signal to HD display. The product supports one-way IR control transmission.

Key Features

- Adopt standard H.265 encoding / decoding
- Support standard IP switch / router / hub
- Support one-way IR control signal transmission
- Compact design for easy and flexible installation
- Extend distance up to 492ft / 150m between encoder and decoder via a single CAT5e/6 cable
- HDMI 1.3 and HDCP 1.4 compliant
- Support 6.75Gbps video bandwidth
- Video resolution is up to 1920x1200@60Hz
- Supports one HDMI loop output

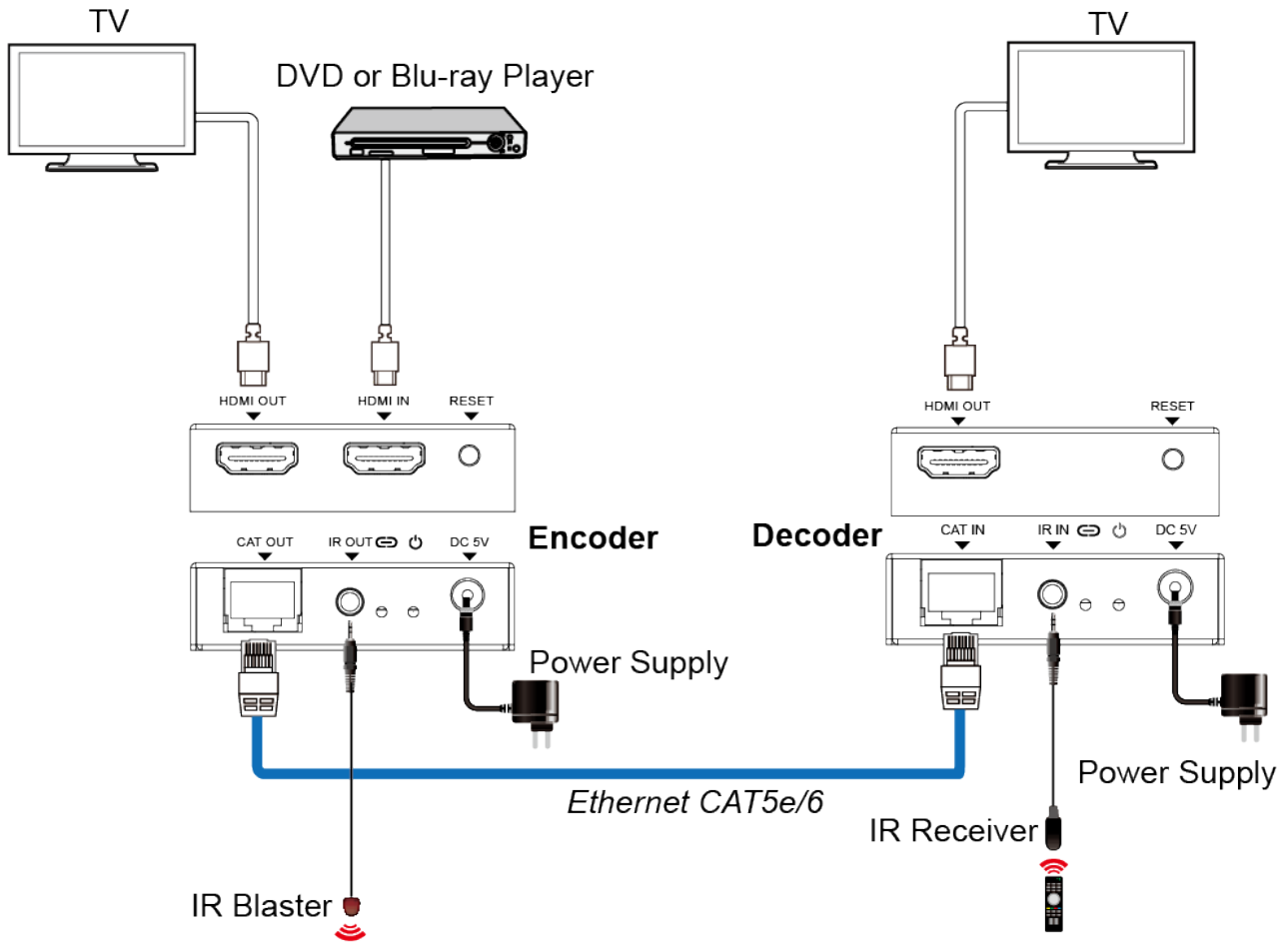
Specifications

Technical	
HDMI Compliance	HDMI 1.3
HDCP Compliance	HDCP 1.4
Video Bandwidth	6.75Gbp

Specifications

Technical	
Video Resolution	640x480@60Hz~1920x1200@60Hz
HDMI Audio Formats	LPCM 2.0CH, 32KHz, 44.1KHz, 48KHz
IR Frequency	20Hz ~ 60KHz
Compression Technology	H.265
Request for Switcher/Router	Support IGMP, Support DHCP
Color Space	RGB, YCbCr 4:4:4, YCbCr 4:2:2
Color Depth	8-bit
ESD Protection	Human body model—±8kV (Air-gap discharge) & ±4kV (Contact discharge)
Connections	
Encoder	Input: 1×HDMI IN [Type A 19-pin female] Output: 1×HDMI OUT [Type A 19-pin female] 1×CAT OUT [RJ45 connector] Control: 1×IR OUT [3.5mm Stereo Mini-jack]
Decoder	Input: 1×CAT IN [RJ45 connector] Output: 1×HDMI OUT [Type A 19-pin female] Control: 1×IR IN [3.5mm Stereo Mini-jack]
Mechanical	
Housing	Metal Enclosure
Color	Black
Dimensions	88mm (W) × 61.2mm (D) × 16.5mm (H)
Weight	Encoder: 158g, Decoder: 155g
Power Supply	Input: AC100 - 240V 50/60Hz, Output: DC 5V/1A (US/EU standard, CE/FCC/UL certified)
Power Consumption	Encoder: 2.55W, Decoder: 3.7W
Operating Temperature	-10°C ~ 50°C / 14°F ~ 122°F
Storage Temperature	-20°C ~ 60°C / -4°F ~ 140°F
Relative Humidity	-20 - 90% RH (no condensation)
Resolution / Distance	1920x1200@60Hz - Feet / Meter
CAT 5e/6 cable	492ft / 150 meters
Resolution / Cable length	1920x1200@60Hz - Feet / Meter
HDMI IN / OUT	50ft / 15 meters

Application Example



Order Models

WDE-IP150