

WDHD-300 Multifunctional Docking Station WiHD HDMI Tx/Rx

Introduction

Multifunctional Docking Station supports Ultra HD 4K@30Hz, 3D and HDR. WDHD-300 ensures stable signal transmission with little latency, therefore no display stuttering and screen jittering. USB-C supports up to 5Gbps USB3.0 data transfer and 100W PD charging. WDHD-300 signal amplifier enable 30m range stable transmission, no loss of resolution and refresh rate. Up to 30° built-in tilt motion, delivers optimum radio path. Plug-in and play, no software or network configuration needed.



Key Features

- 4K HDMI Ultra HD 4K@30Hz
- USB-C USB3.0 & PD 2-IN-1
- 10~30m Stable Transmission
- 60GHz wireless transmission
- Matrix Signal Amplifier
- Latency <1ms

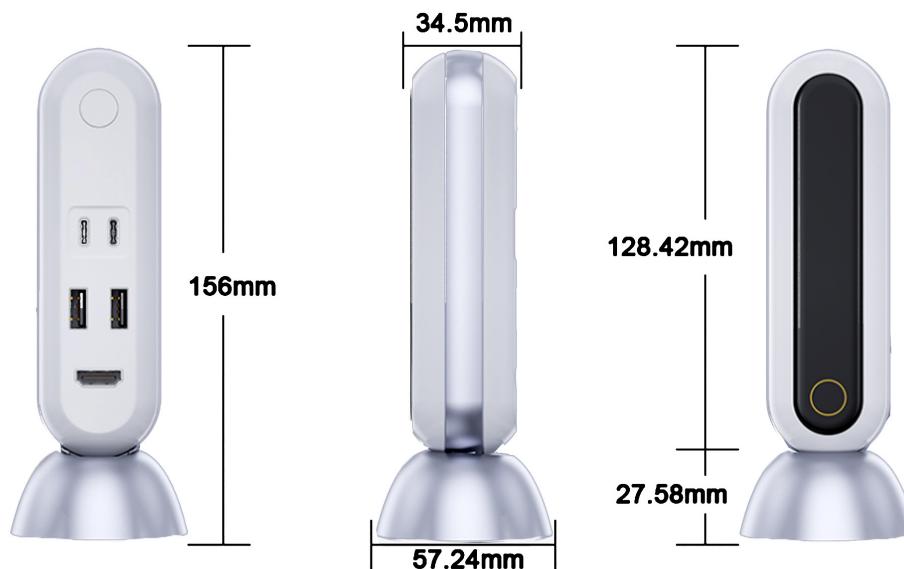
Specifications

Model	WDHD-300
Video Input	HDCP 2.2 Support
Video Output	HDCP 2.2 Support
Power	5V/1A

Specifications

Video Resolution		3840 x 2160 @ 30Hz
Video Streaming		Uncompressed
Audio	Audio Output	LPCM Stereo
	Frequency Band	60 GHz
	Antenna Type	Printed Circuit Board
Environment	Operation Temperature	32~122°F (0~50°C)
	Storage Temperature	14~158°F (-10~70°C)
	Humidity	10 - 90%
	Power Adapter	Input: 100~240 VAC/0.3A, Output: 5VDC/2A
Housing	Case	Aluminum
	Warranty	1-Year
	Power Consumption	3W

Dimensions



Order Models

WDHD-300